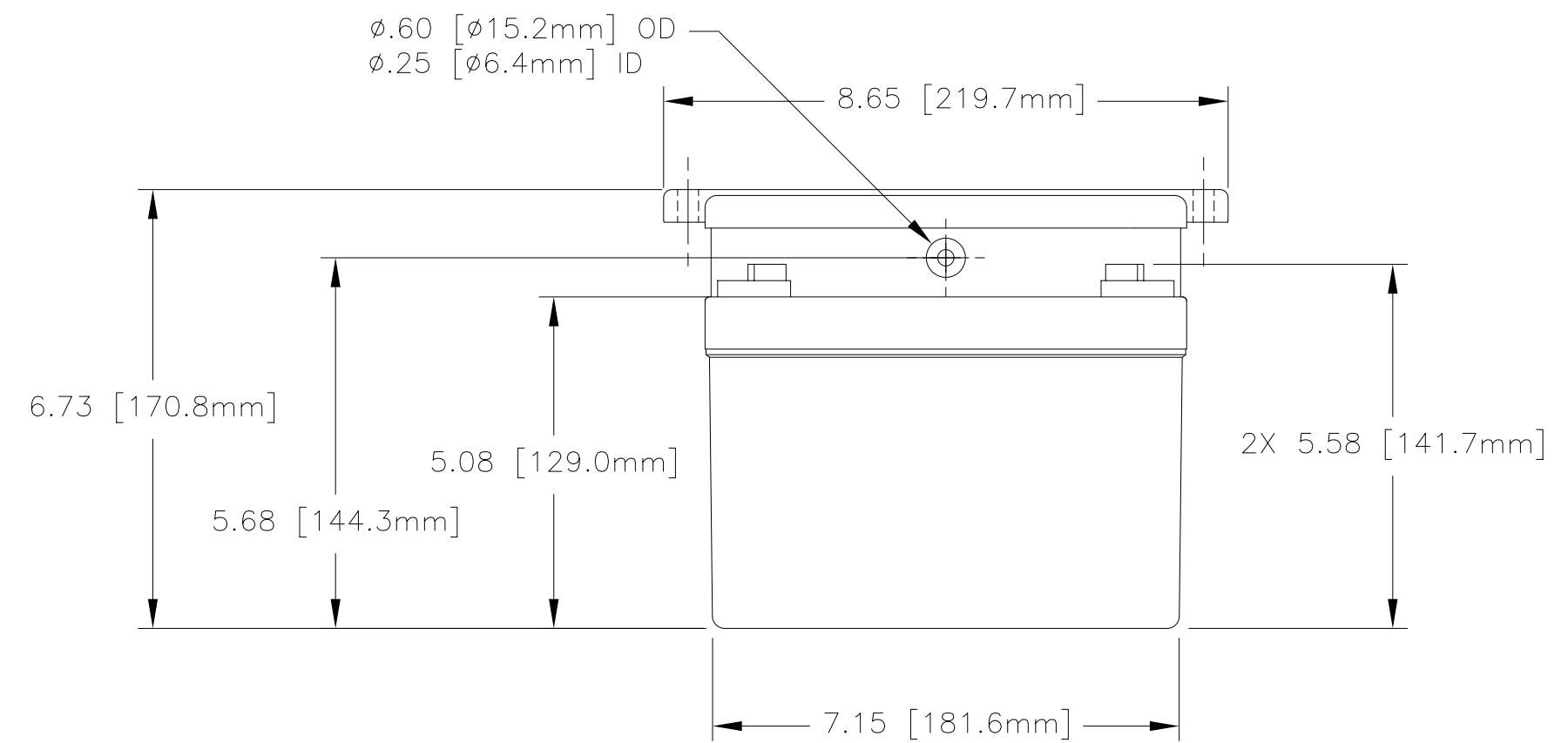
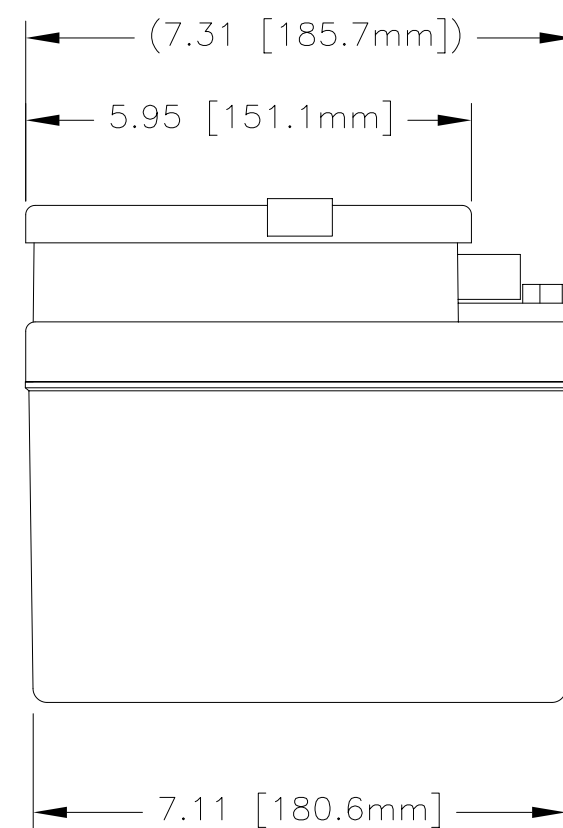
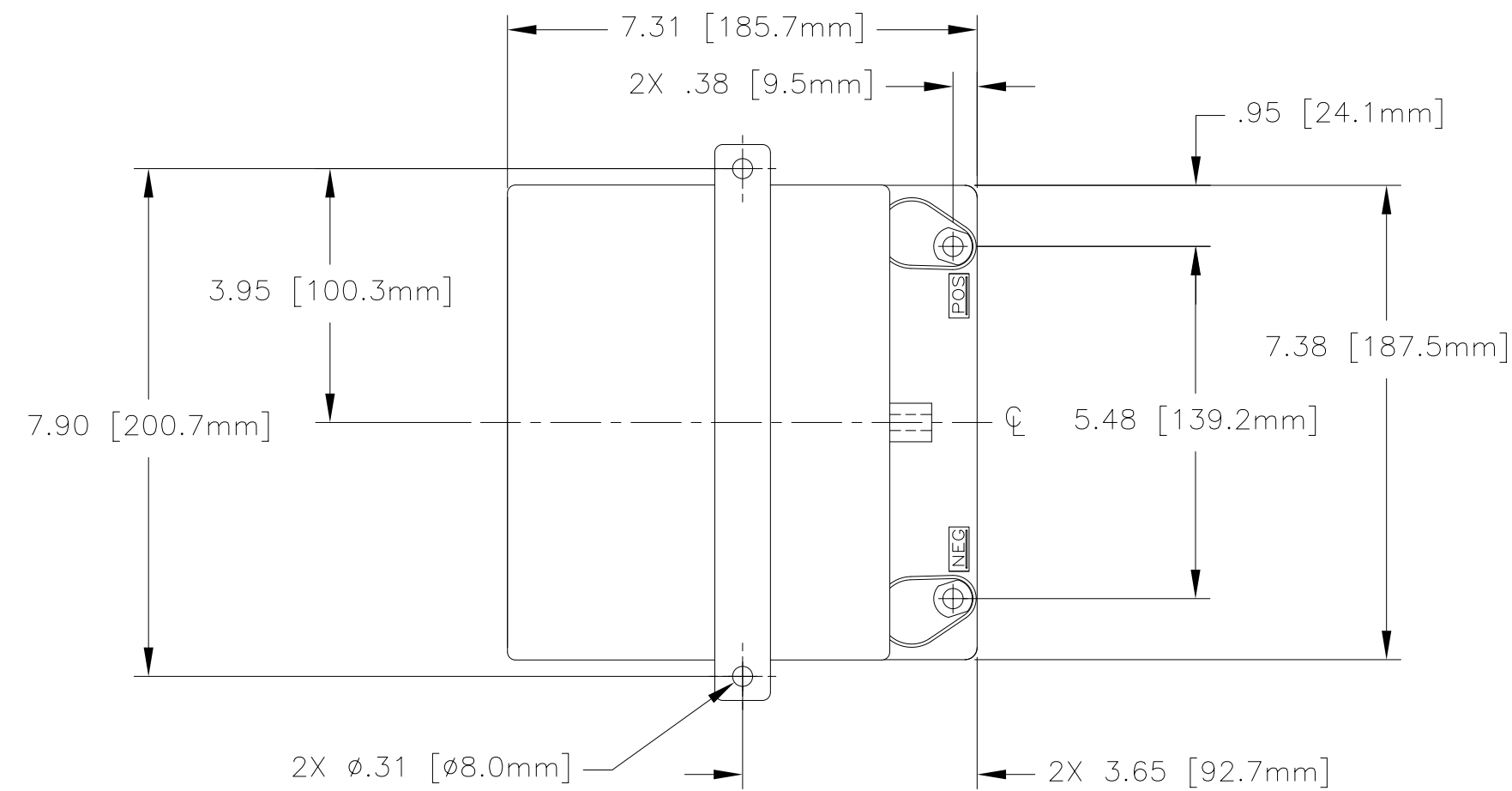


NOTES: UNLESS OTHERWISE SPECIFIED

- ABBREVIATION USED IN TITLE IS: VALVE REGULATED SEALED LEAD ACID (VRSLA).
- INSPECT PER FAR 21.303(h) QUALITY SYSTEM.
- BATTERY CONFORMS TO THE DESIGN REQUIREMENTS OF 14 CFR PART 25.1353(c).
- SEE DRAWING NUMBER CB-00164 AND PRODUCTION INSTRUCTION PI-1000 FOR ASSEMBLY AND TEST INSTRUCTION. PRODUCTION INSTRUCTIONS AND ASSEMBLY DRAWINGS ARE FOR INTERNAL USE ONLY.
- TERMINAL HARDWARE KIT (CBC PN 9586) CONTAINS M8 HEX HEAD SCREWS AND CONICAL WASHERS.
- BATTERIES ARE RATED IAW INTERNATIONAL ELECTROTECHNICAL COMMISSION STANDARD 952-1, UNLESS OTHERWISE NOTED.

REVISIONS			
REV	DESCRIPTION	DATE	APPROVED
A	SEE DCN 0199	5/23/97	JBT
B	REVISED TERMINAL	9/9/98	JBT
C	REVISED WEIGHT TO 29.5 LBS.	9/2/99	JBT

PART NUMBER	RG24-15M
MAXIMUM WEIGHT	29.5 LBS [13.4]
RATED CAPACITY, C ₁	13.6 AH
POWER RATING AT 23°C	I _{pr} 620 A, I _{pp} 930 A
POWER RATING AT -18°C	I _{pr} 320 A, I _{pp} 615 A
POWER RATING AT -30°C	I _{pr} 180 A, I _{pp} 390 A



ENVELOPE DRAWING

QTY REQD	CAGE CODE	PART OR IDENTIFYING NO.	NOMENCLATURE OR DESCRIPTION	MATERIAL SPECIFICATION	ITEM NO.	
PARTS LIST						
UNLESS OTHERWISE SPECIFIED DIMENSIONS ARE IN INCHES TOLERANCES ARE:			CONTRACT NO.			
FRACTIONS DECIMALS ANGLES			CONCORDE BATTERY CORPORATION			
.XX ± .06			2009 SAN BERNARDINO RD, W. COVINA, CA 91790			
.XXX ± .060			TITLE			
			BATTERY, VRSLA, 24 VOLT			
TREATMENT	NONE	CHECKED	AMIII	6/19/96	SIZE	
FINISH	NONE	APPROVED	DG	6/19/96	CAGE CODE	
SIMILAR TO	ACT WT	CALC WT	ISSUED	DR	9/2/99	DWG NO.
						RG24-15M
						REV C
						SCALE NONE
						SHEET 1 OF 1

ENGINEERING COPY 02SEP99